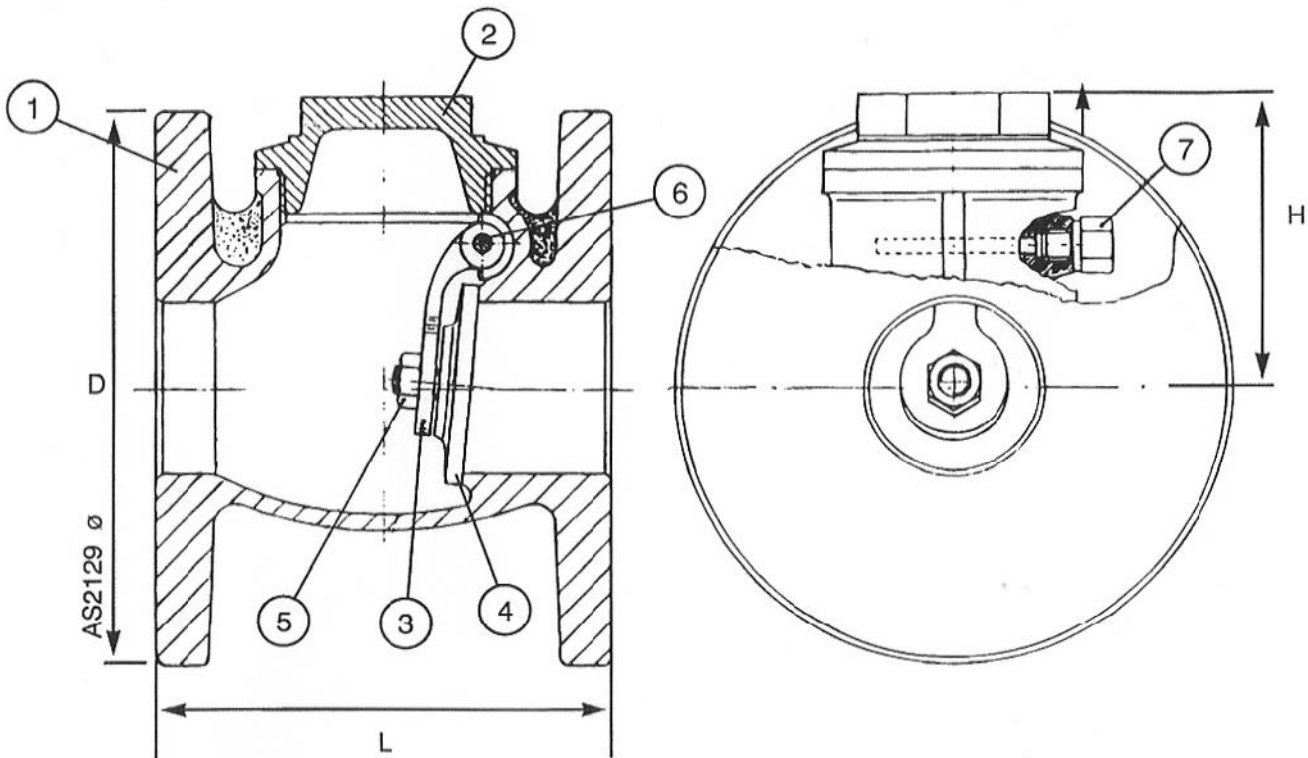


Flanges: To AS2129 Table 'F' (H)

④ Available: ANSI • JIS • DIN



Dimensions

Size mm	8	10	15	20	25	32	40	50	65	80	100
L	•	•	•	•	•	•		136	174	194	260
H	•	•	•	•	•	•		87	113	126	160
D	•	•	•	•	•	•		165	185	205	230
Wt/kgs	•	•	•	•	•	•		8.0	12.0	14.8	27.2

■ **Pressures:** 2100 kPa CWP
Steam: 1200 kPa @ 200°C

■ **Standards:** Dezincification Resistant
AS 1628 – 1994: Copper Alloy Valves
AS 3855: Materials suitable for Potable Water Service

ITEM	DESCRIPTION	MAT'L	STANDARD
7	SPINDLE NUT	DR BRASS	AS1567 -352
6	SPINDLE – PIN	STAINLESS STEEL	ASTM A276 AISI316
5	DISC NUT	DR BRASS	AS1567 -352
4	DISC – FLAP	GUNMETAL BRONZE	AS1565 C83600M
3	ARM	GUNMETAL BRONZE	AS1565 C83600M
2	CAP – BONNET	GUNMETAL BRONZE	AS1565 C83600M
1	BODY	GUNMETAL BRONZE	AS1565 C83600M



PROMET VALVES AUSTRALIA

1A Green Road Woodville West SA 5011
www.prometvalves.com promet@prometvalves.com
T: 08 8268 1777 ABN 47096 425 697 F: 08 8268 1711

FIG No **T4BF** BRONZE SWING CHECK VALVE FLANGED CLASS 21 PN 20